



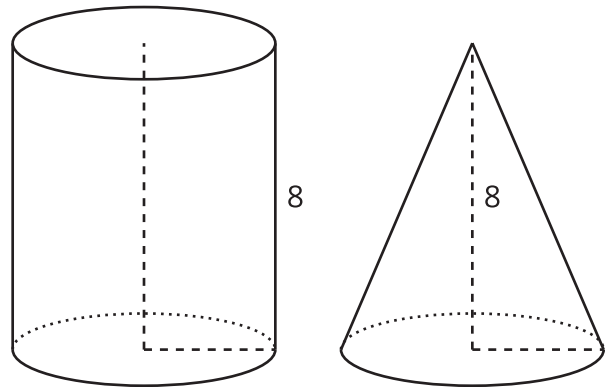
The Volume of a Cone

Let's explore cones and their volumes.

15.1 Which Has a Larger Volume?

The cone and cylinder have the same height, and the radii of their bases are equal.

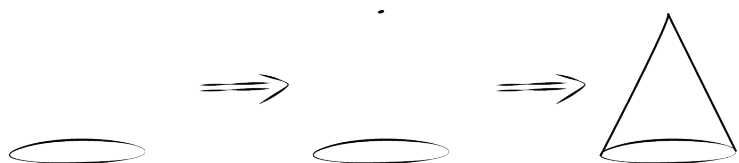
- Which figure has a larger volume?



- Do you think the volume of the cone is more or less than $\frac{1}{2}$ the volume of the cylinder?
Explain your reasoning.

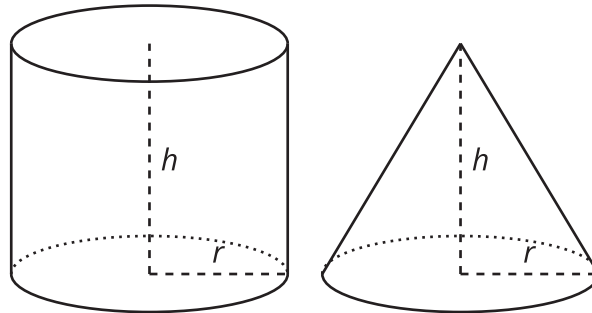
- Sketch two different sized cones. The oval doesn't have to be on the bottom!
For each drawing, label the cone's radius with r and height with h .
Here is a method for quickly sketching a cone:

- Draw an oval.
- Draw a point centered above the oval.
- Connect the edges of the oval to the point.
- Which parts of your drawing would be hidden behind the object? Make these parts dashed lines.



15.2 From Cylinders to Cones

A cone and cylinder have the same height, and their bases are congruent circles.



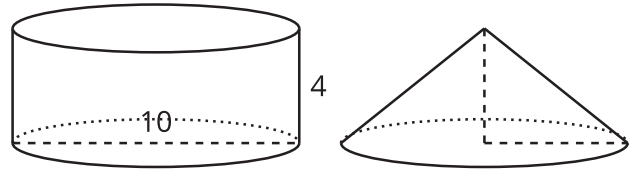
1. If the volume of the cylinder is 90 cm^3 , what is the volume of the cone?
2. If the volume of the cone is 120 cm^3 , what is the volume of the cylinder?
3. If the volume of the cylinder is $V = \pi r^2 h$, what is the volume of the cone? Either write an expression for the cone or explain the relationship in words.

15.3

Calculate That Cone

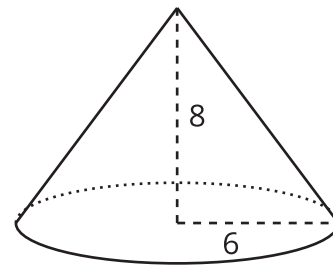
1. Here is a cylinder and cone that have the same height and the same base area.

What is the volume of each figure? Express your answers in terms of π .



2. Here is a cone.

- a. What is the area of the base? Express your answer in terms of π .



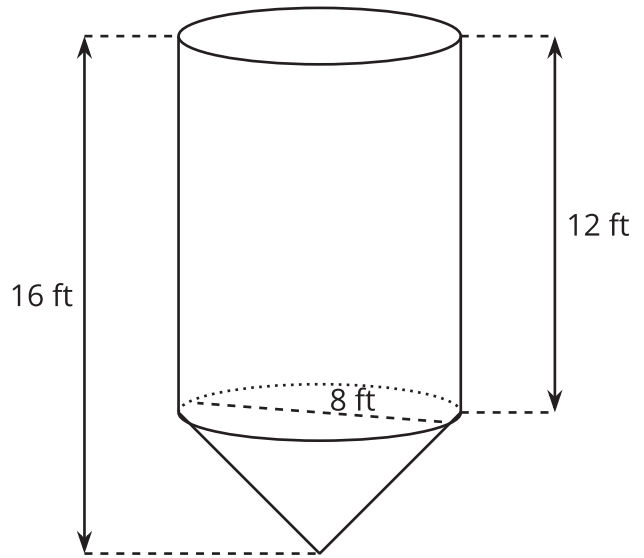
- b. What is the volume of the cone? Express your answer in terms of π .

3. A cone-shaped popcorn cup has a radius of 5 centimeters and a height of 9 centimeters. How many cubic centimeters of popcorn can the cup hold? Use 3.14 as an approximation for π , and give a numerical answer.

Are you ready for more?

A grain silo has a cone shaped spout on the bottom in order to regulate the flow of grain out of the silo. The diameter of the silo is 8 feet. The height of the cylindrical part of the silo above the cone spout is 12 feet while the height of the entire silo is 16 feet.

How many cubic feet of grain are held in the cone spout of the silo? How many cubic feet of grain can the entire silo hold?



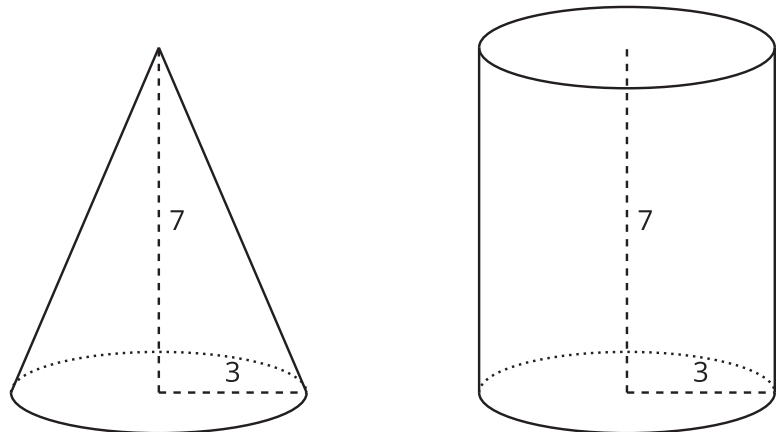
Lesson 15 Summary

If a cone and a cylinder have the same base and the same height, then the volume of the cone is $\frac{1}{3}$ of the volume of the cylinder.

For example, the cylinder and cone shown here both have a height of 7 feet and a base with radius 3 feet.

The cylinder has a volume of 63π cubic feet since $\pi \cdot 3^2 \cdot 7 = 63\pi$.

The cone has a volume that is $\frac{1}{3}$ of that, or 21π cubic feet.



If the radius for both solids is r and the height for both solids is h , then the volume of the cylinder is $\pi r^2 h$. That means that the equation to give the volume, V , of the cone is

$$V = \frac{1}{3}\pi r^2 h.$$